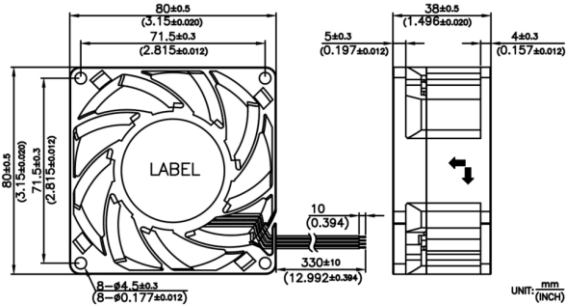


iWater Fan 80*80*38 MM IP68 Rating

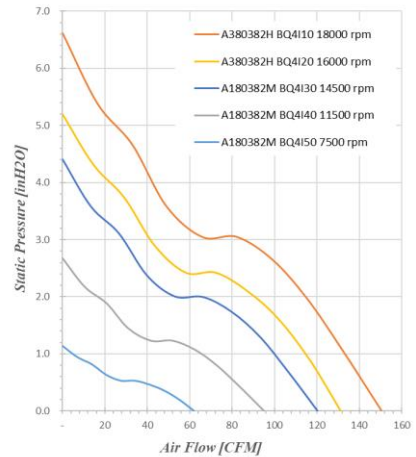
Dustproof & Waterproof Fan Series



DIMENSION DRAWING



- Housing : Plastic (UL 94V-0)
- Impeller : Plastic (UL 94V-0)
- Bearing : Ball bearing
- Lead Wires : UL10368 AWG22 OR Equivalent
- Mass : 230g



產品別	Model No.		Control Type	Bearing Type	Rated Voltage	Operating Voltage Range	Operating Temp.	Speed	Input Current	Input Power	Maximum Air Flow		Maximum Air Pressure		Noise
					VDC	VDC	°C	R.P.M	Amp	Watt	CFM	m ³ /min	inH2O	mmH2O	
8038 12V IP68系列	A380381H	BQ4120	+/-/FG/PWM	Ball	12	7~13.8	-10~70	16000	4.24	50.9	131.3	3.7	5.20	132.0	75.4
	A380381H	BQ4130	+/-/FG/PWM	Ball	12	7~13.8	-10~70	14500	3.34	40.1	120.4	3.4	4.41	112.0	73.5
	A180381M	BQ4140	+/-/FG/PWM	Ball	12	7~13.8	-10~70	11500	1.67	20.0	95.2	2.7	2.67	67.8	65.7
	A180381M	BQ4150	+/-/FG/PWM	Ball	12	7~13.8	-10~70	7500	0.50	6.00	62.1	1.8	1.14	28.8	56.4
8038 24V IP68系列	A380382H	BQ4110	+/-/FG/PWM	Ball	24	14~27.6	-10~70	18000	3.00	72.1	150.5	4.3	6.61	167.9	77.3
	A380382H	BQ4120	+/-/FG/PWM	Ball	24	14~27.6	-10~70	16000	2.12	50.9	131.3	3.7	5.20	132.0	75.4
	A180382M	BQ4130	+/-/FG/PWM	Ball	24	14~27.6	-10~70	14500	1.67	40.1	120.4	3.4	4.41	112.0	73.5
	A180382M	BQ4140	+/-/FG/PWM	Ball	24	14~27.6	-10~70	11500	0.83	20.0	95.2	2.7	2.67	67.8	65.7
	A180382M	BQ4150	+/-/FG/PWM	Ball	24	14~27.6	-10~70	7500	0.25	6.00	62.1	1.8	1.14	28.8	56.4
8038 48V IP68系列	A180384H	BQ4110	+/-/FG/PWM	Ball	48	36~55.2	-10~70	18000	1.50	72.1	150.5	4.3	6.61	167.9	77.3
	A180384H	BQ4120	+/-/FG/PWM	Ball	48	36~55.2	-10~70	16000	1.06	50.9	131.3	3.7	5.20	132.0	75.4
	A180384H	BQ4130	+/-/FG/PWM	Ball	48	36~55.2	-10~70	14500	0.84	40.1	120.4	3.4	4.41	112.0	73.5
	A180384H	BQ4140	+/-/FG/PWM	Ball	48	36~55.2	-10~70	11500	0.42	20.0	95.2	2.7	2.67	67.8	65.7
	A180384H	BQ4150	+/-/FG/PWM	Ball	48	36~55.2	-10~70	7500	0.13	6.00	62.1	1.8	1.14	28.8	56.4